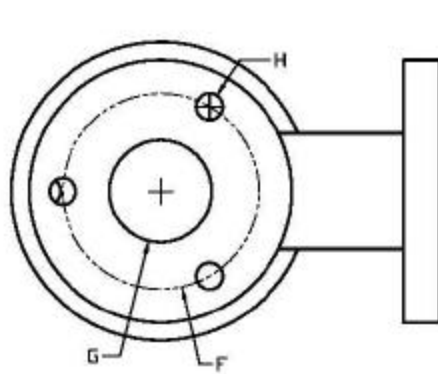
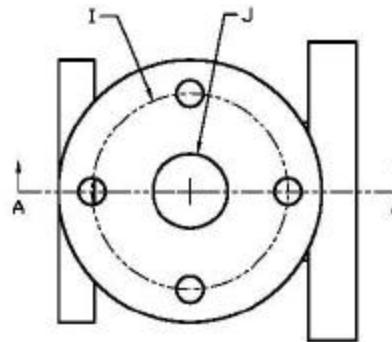


Rubber-Lined Parts

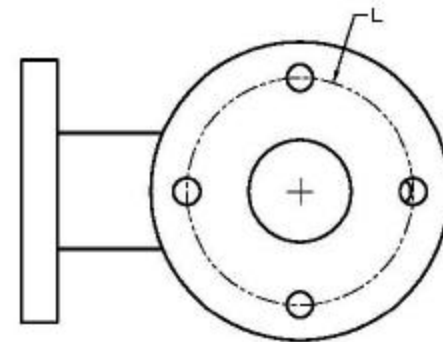
Tees



SAFETY VENT

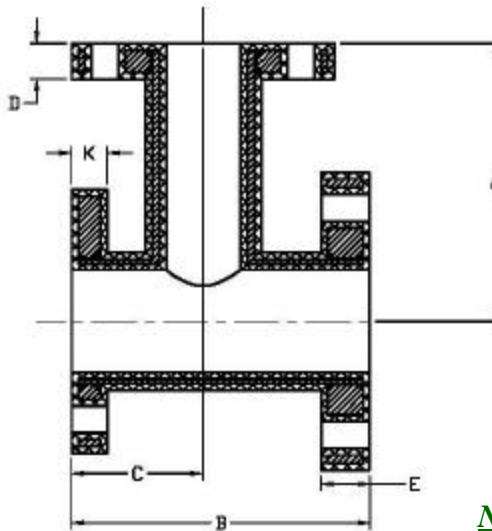


AIR INLET



MANWAY PLATE

A		
B		
C		
D		
E		
F		# OF HOLES
G		
H		
I		# OF HOLES
J		
K		
L		# OF HOLES



SECTION A-A

NOTES:
 RUBBER LINING IS 3/16". PLEASE NOTE IF
 THICKER RUBBER IS REQUIRED.
 CARBON STEEL IS THE BASE METAL OF TEE.

NOTE: Upon completion, fax to Inside Sales at
 (630) 783-2590.