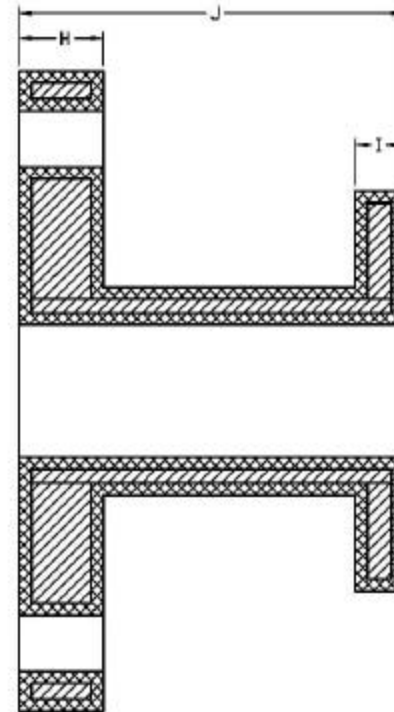
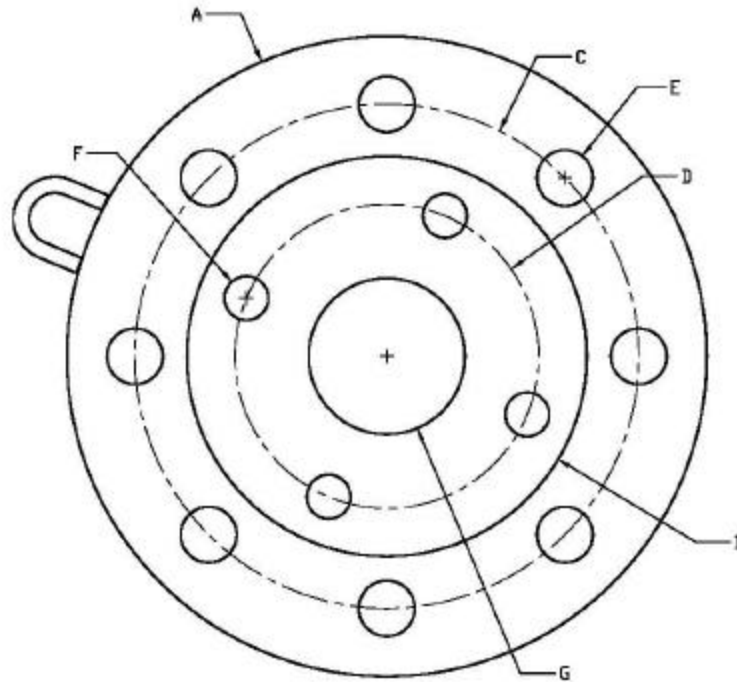


Rubber-Lined Parts

Double Flanges/Spools



A			
B			
C		# OF HOLES	
D		# OF HOLES	
E			
F			
G			
H			
I			
J			

MEASURE ALL DIMENSIONS WITH RUBBER COATING.

NOTE: Upon completion, fax to Inside Sales at (630) 783-2590.