

Rubber-Lined Parts

Applications

RUBBER LINED PARTS	INFORMATION REQUIRED
1. Manway Cover • FP201RLB	-18" OR 20" Nozzle Bolting Pattern
2. Tee • TQI1RLB • TQI2RLB • TQI3RLB • TQI4RLB	Holds vent option and air inlet access, bolts to flange/pipe assembly that extends from the Manway Plate (welded to Manway Plate) -Bolting circle dimension for air inlet blind flange (items 4*) -Vent preference, SALCO Noryl Quick Inspect or equivalent -Bolting circle dimension for flange from Manway connection
3. Double Flange • DF388475RLB • DF475775RLB • DF556RLP • DF5575RLB	Holds access for top unloading lines through flange, bolts to flange/pipe assembly that extends from the Manway Plate (welded to Plate) -Bolting circle dimension for flange from manway connection - Bolting circle or outlet blind flange (item 5*)
4, 5. Blind Flange • BF475RLB • BF550RLB	*See references above
6. Loading Cover • LC901RL • LC902RLB • LC903RLB	Parts typically circular or rectangular in shape -3 or 4 bolt holddown -For the LC901RL, do they need the Fill Hole Lock Bar (One Arm Bandit)?

OTHER SALCO SUPPORTIVE PARTS DISPLAYED

7. Eyebolt Assembly
8. Eduction Tube
 - EDT3HCL
 - EDT3HCL75
9. Pipe Guide Spider
 - TCPG001BR
 - TCPG5528
10. Vent Assembly Safety QI
- 11 – 13. Washer Segmented

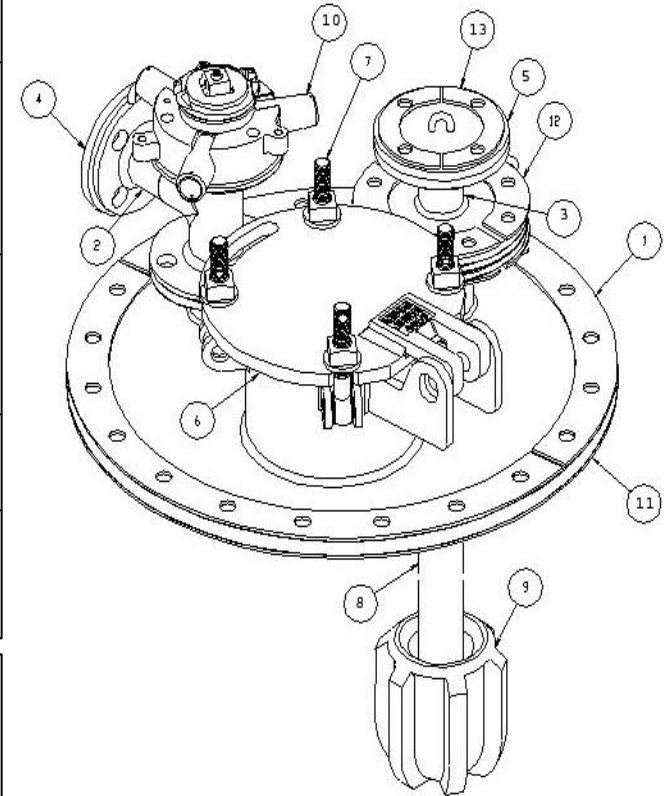
RUBBER LINED PARTS NOT DISPLAYED

- Adapter Plate
•AP475625RLB
Surge Protector
•DSP1058RLB

RELATED PARTS NOT DISPLAYED

- Fill Hole Lock Bar
"One Armed Bandit"
Teflon Coated Fasteners

HCL Top



NOTE: Besides HCL, Rubber-Lined Parts are used for other commodities such as Phosphoric Acid, Ferric Chloride, Ferrous Chloride, and Chlorine.