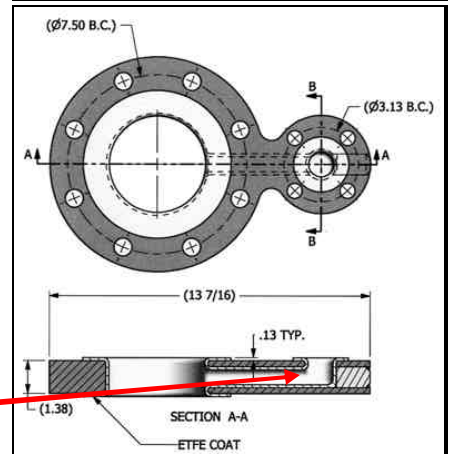
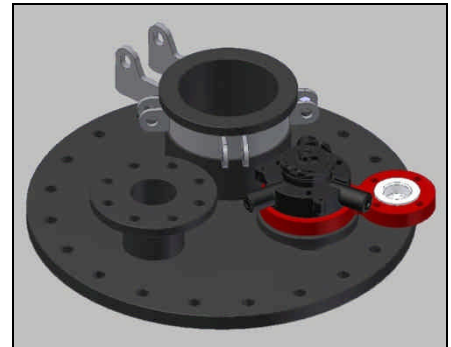


Steel, ETFE Lined Parallel Instrument Tees

Used in place of a standard tee, Parallel Instrument Tees reduce overall height and allow for sample ports and pressure gauges to be applied

- Can be utilized in multiple applications, such as below relief vent or in protective housing between product valve and hose flange
- Compact and low maintenance
- Seamless construction with fully bonded ETFE lining
- Corrosion resistant exterior coating. Excellent in sub-zero temperatures
- Enables means for blowing down product hoses
- Replaces the need for rubber-lined fittings
- Single or bi-directional ports. Can be produced with smaller diameter flange as a through hole as well as standard single direction
- Provides connection for Vapor Recovery System
- Available in a variety of sizes and configurations



Machined port allows for access to product line

For more information, please contact us at: