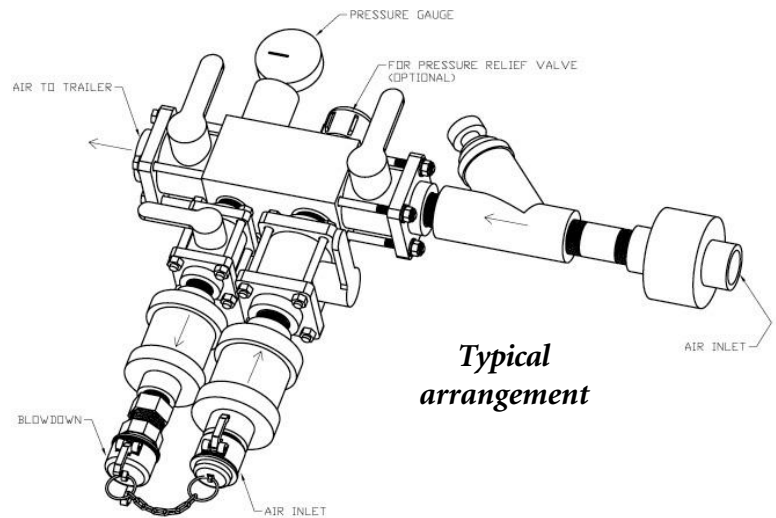


## User-Friendly Air Manifold With Quick-Connect Fittings

*Used in the loading and unloading of corrosive products from tank trucks, an Air Manifold serves as a multiple ported entry point into a main product pipeline. In addition, it is also used for venting and scrubbing vapors during the unloading process. Air Manifolds are also used on truck tank air supply lines*

### KEY FEATURES AND BENEFITS

- Light weight, low maintenance and corrosion resistant
- Constructed of Salco PE™, polypropylene and PVC
- Utilizes O-Ring seals and quick connection fittings, reducing the number of threaded fittings
- One-way flow design with check valves and ball valves



Typical arrangement

*Air Manifold applied to tank truck line*



For more information, please contact us at: