

Corrosion-Resistant, Salco PE Parallel Instrument Tees (PITS)

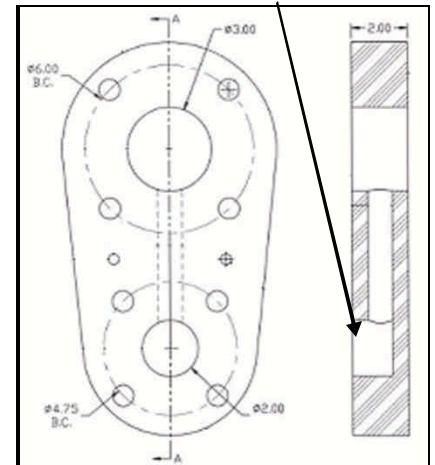
Used anywhere a standard tee would be mounted, Parallel Instrument Tees allow for sample ports and pressure gauges to be applied

- Seamless construction. Made of Salco Polyethylene (PE)
- When used in place of standard tees, PITS reduce the overall height of the fittings plate
- Use in protective housing between product valve and hose flange
- Compact, light weight, and low maintenance
- Excellent in sub-zero temperatures
- Enables hoses to be stored empty
- Replaces the need for rubber-lined fittings
- Single or bi-directional ports. Can be produced with smaller diameter flange as a through hole as well as standard single direction
- Provides connection for Vapor Recovery System
- AAR Approved

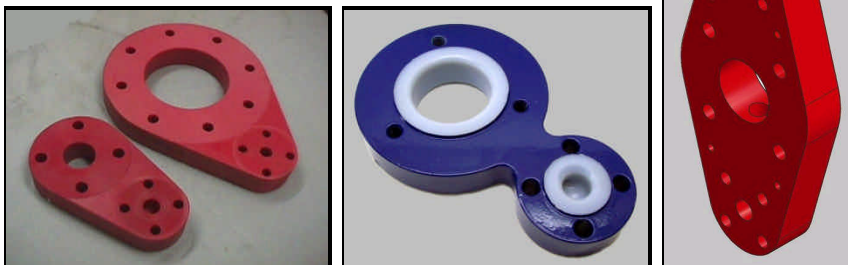


Parallel Instrument Tee in action

Machined port allows for access to product line



Ask about our HSPIT3X1X1 which allows for more mounting and blending options



Salco's Parallel Instrument Tees are available in a variety of sizes, configurations, and materials

For more information, please contact us at: